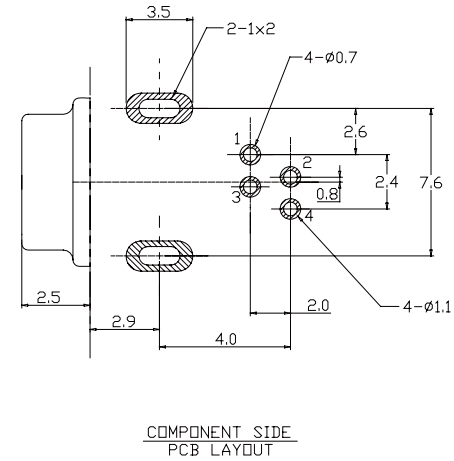
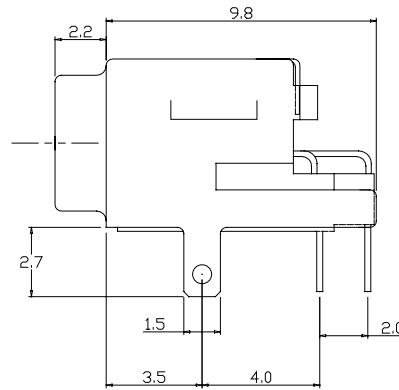
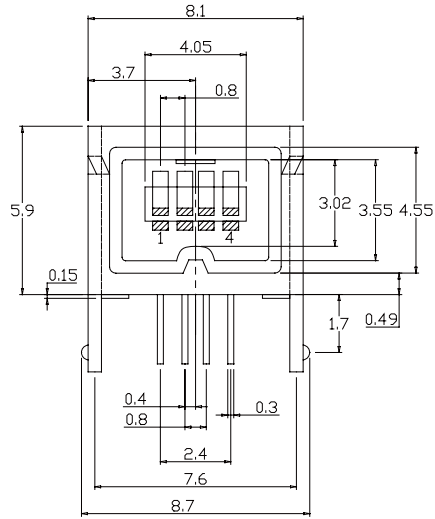


BY	CHK	REVISION RECORD MODIFICATIONS	DATE	REV.
ALLEN		RELEASE TO PRODUCTION	2007,9,10	1.0



No.	NAME	MATERIAL	FINISH	REMARK	Q'TY
1	HOUSING	NYLON PA9T G.F	BLACK		1
2	PIN TERM.	PHOS. BRONZE t:0.25mm	GOLD-TIN PLATED	NI:~5/TIN:3u. GOLD:30	4
3	FRONT SHELL	STEEL t:0.5mm	NICKEL PLATED	NI:2~3u	1
4	REAR SHELL	BRASS t:0.2mm	NICKEL PLATED	NI:2~3u	1

Part No.: IEEE-1394R-4L1-U

APPRO	CHECK	DRAWN	PART NO.	Part No.:IEEE-1394R-4L1-U	DESCRIPTION	
			ITEM NO.			
			DRAW NO.			
			UNIT	mm		
			TOLER		NO.	
Tel:0769 2202068 Fax: 0769 2202069 E-mail: sales@vigortec.com						